

# RL75114-50K

Stainless Steel, Welded Seal, NTEP Certified 1:10,000 Class III L, IP67



Picture is a representation of actual product.

**Approvals**



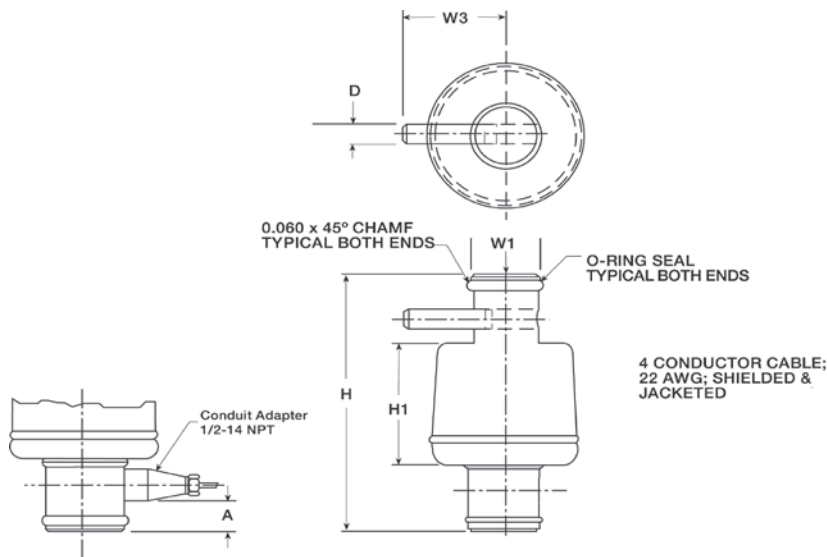
**Order Information**

Load Rating	Part #	Est. Weight	Price
50,000 lb LE	88074	6 lb	Consult
<b>Replacement Parts</b>			
Replacement O-ring	92988	1lb	Consult
Spring pin	116181	1 lb	Consult

LE=Large envelope  
Not interchangeable with Sensortronics 65114 - different mV/v

**Dimensions**

Rated Capacity	A	D	H	H1	W1	W3
50,000 LE	0.87	0.38	7.56	2.82	1.46	2.18



**Interchangeable Products**

FAIRBANKS®  
**64166**..... LCF HR 4020-2

**Specifications**

- Full Scale Output:**  
1.8 mV/v nominal
- Output Resistance:**  
1,000 (± 10) ohm
- Input Resistance:**  
1,000 ohm
- Material/Finish:**  
Stainless steel
- Temperature:**  
Compensated range  
14 °F to 104 °F (-10 °C to 40 °C)  
Operating range  
0 °F to 150 °F (-18 °C to 65 °C)
- Seal Type:**  
Welded-seal, IP67
- Safe Overload:**  
150% full scale
- Rated Excitation:**  
5 to 10 VDC
- Combined Error:**  
0.025% full scale
- Non-repeatability:**  
0.01% full scale
- Insulation Resistance:**  
1,000 megohm
- Cable Length:**  
30 ft
- Cable Diameter:**  
0.200 in overbraid cable
- Cable Color Code:**  
Green +Excitation  
Black -Excitation  
White +Signal  
Red -Signal
- Warranty:**  
Two-year limited
- Approvals:**  
NTEP 06-022  
cFMus