



Picture is a representation of actual product.

**Approvals**

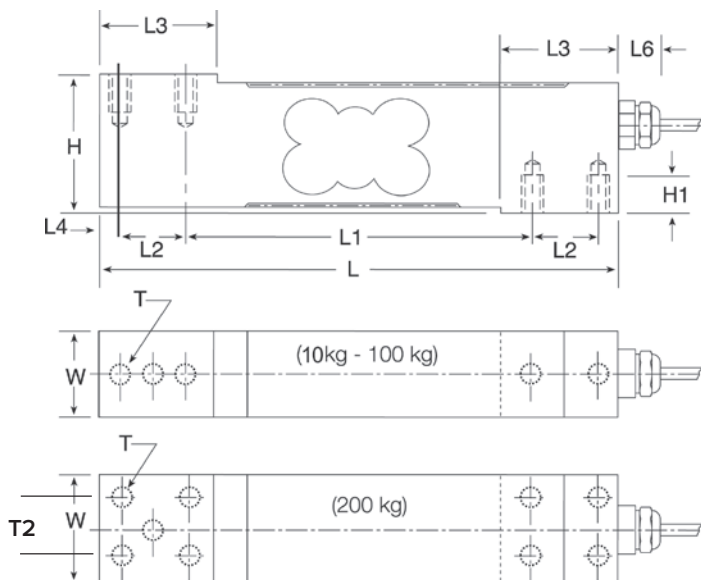


**Order Information**

Load Rating	Part #	Est. Weight	Price
<b>NTEP Certified</b>			
10 kg	41405	3 lb	Consult
15 kg	41233	3 lb	Consult
30 kg	41234	3 lb	Consult
50 kg	41235	3 lb	Consult
75 kg	41236	3 lb	Consult
<b>Non-NTEP Certified</b>			
100 kg	41237	3 lb	Consult
200 kg	41406	4 lb	Consult

**Dimensions**

Rated Capacity	H	H1	L	L1	L2	L3	L4	L6	W	T	T2
kg/mm											
10 to 100	40.0	10.0	150.0	100.0	19.0	32.0	6.0	20.0	25.4	1/4-20 UNC x 19.1 DP	N/A
200	40.0	10.0	150.0	100.0	19.0	32.0	6.0	20.0	38.1	1/4-20 UNC x 19.1 DP	25.4



**Interchangeable Products**

FLINTEC  
PC1.....page 216

**Specifications**

- Full Scale Output:**  
2.0 mV/V
- Output Resistance:**  
330 (± 25) ohm
- Input Resistance:**  
390 (± 20) ohm
- Material/Finish:**  
Stainless steel
- Temperature:**  
Operating range  
0 °F to 150 °F (-18 °C to 65 °C)
- Seal Type:**  
Environmentally sealed, IP67
- Safe Overload:**  
200% full scale
- Rated Excitation:**  
5 VDC (15 V maximum)
- Combined Error:**  
0.02% full scale
- Insulation Resistance:**  
5,000 megohm
- Cable Length:**  
10 ft
- Cable Diameter:**  
0.196 in polyurethane jacket
- Max Platform Size:**  
18 × 18 in
- Cable Color Code:**  
Green +Excitation  
Black -Excitation  
White +Signal  
Red -Signal  
Yellow Shield
- Warranty:**  
Two-year limited
- Approvals:**  
FM  
NTEP 00-125

**RICE LAKE  
LOAD CELLS**