

MVS Mount/MVS

Conversion Kit



Picture is a representation of actual product.

Load Cell Approvals



Order Information

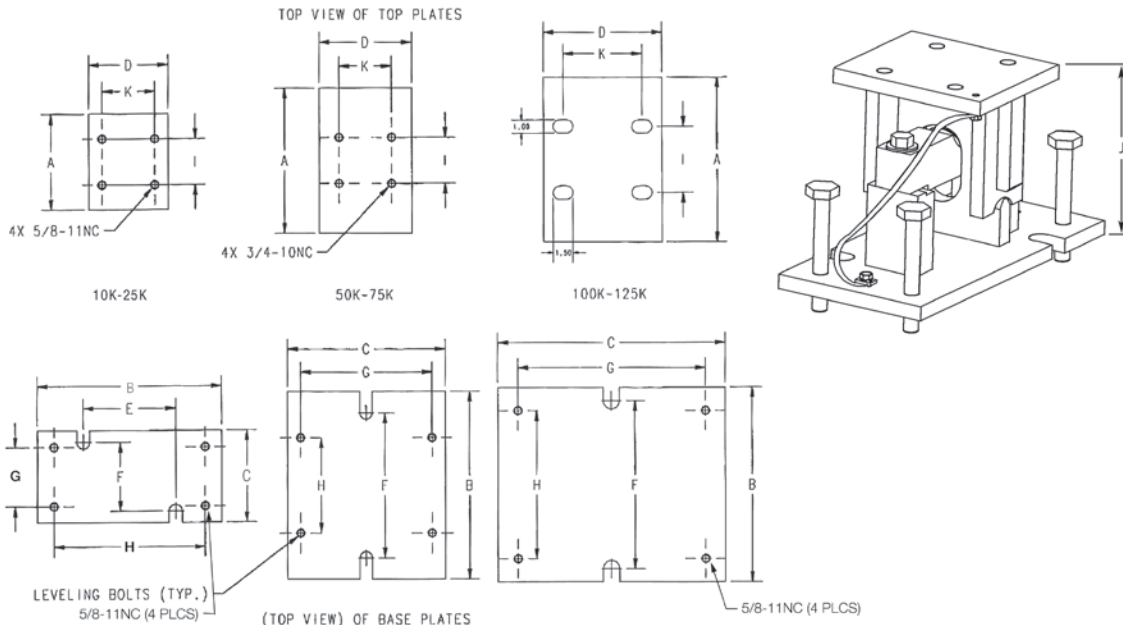
Load Rating (Per Module)	Part #	Price
MVS Mount (Does NOT Include Load Cell)		
10,000 lb to 25,000 lb	71200	Consult
50,000 lb to 75,000 lb	46441	Consult
100,000 lb to 125,000 lb	68520	Consult
MVS Conversion Kits (Includes 75,000 lb* Load Cells, Mounts and Junction Box)		
4-module kit	68495	Consult
6-module kit	68496	Consult
8-module kit	68497	Consult
10-module kit	68498	Consult
Dummy Load Cell		
50,000 lb to 75,000 lb	169388	Consult
100,000 lb to 125,000 lb	159696	Consult

Custom heights available; Consult

* Consult for other capacity requirements

Dimensions

Rated Capacity	A	B	C	D	E	F	G	H	I	J	K
lb/in											
10,000 to 25,000	7.25	14.00	7.00	6.00	7.00	5.25	4.50	11.50	3.50	8.50	4.00
50,000 to 75,000	11.00	14.25	12.00	7.00	—	11.00	10.00	7.25	3.50	11.53	4.00
100,000 to 125,000	12.50	14.75	17.25	9.00	—	12.75	14.25	11.25	5.00	14.21	6.00



Complete Kit Includes

- 4 to 10 RL75058-LP 75,000 lb load cells with 35 ft or 60 ft cables
- 4 to 10 MVS mounts
- JB8SPT junction box (JB1010 on 10 module kit)
- 100 ft of our hostile environment EL147HE SURVIVOR® load cell cable

Standard Features

- Capacity design: 10,000 to 125,000 lb
- Mild steel construction
- Specially hardened center link
- Self-checking design
- Self-centering design
- Accommodates thermal expansion and contraction

Optional Features

- VPG Sensortronics® 65058 or VPG Celtron® CLB

Applications

- Truck scale conversion
- Heavy-capacity horizontal tanks

WEIGH MODULES