

Motor Truck Scale Electronic Conversion Kit

Rice Lake Weighing Systems



Picture is a representation of actual product.

Order Information

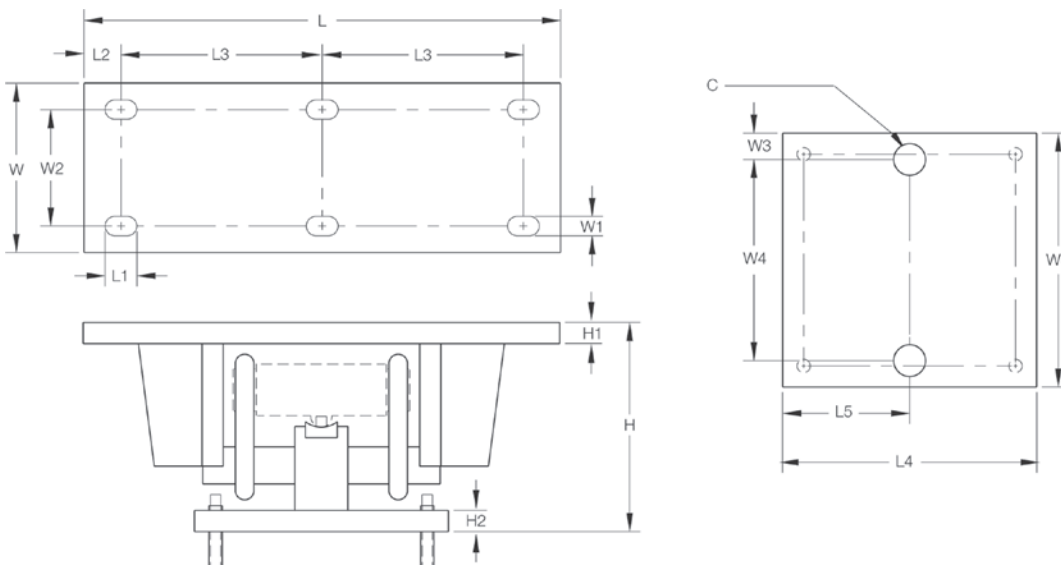
Scale Suggested Capacity	Load Cell Capacity (Per Module)	Part #	Load Cell Used In Kit	Price
4-Module Kit (Includes Weigh Modules Load Cells, Junction Box, and Transient Protection)				
40,000 lb	25,000 lb	30513	RL75040	Consult
60,000 lb	40,000 lb	30514	RL75040	Consult
6-Module Kit (Includes Weigh Modules Load Cells, Junction Box and Transient Protection)				
100,000 lb	50,000 lb	30515	RL75040	Consult
120,000 lb	60,000 lb	30516	RL75040	Consult
8-Module Kit (Includes Weigh Modules Load Cells, Junction Box and Transient Protection)				
120,000 lb	60,000 lb	30517	RL75040	Consult
200,000 lb	75,000 lb	30518	RL75040	Consult
300,000 lb	100,000 lb	30512	RL75223	Consult

SD refers to super duty, 100,000 lb capacity welded-seal load cells

Dimensions

Rated Capacity	C	H*	H1	H2	L	L1	L2	L3	L4	L5	W	W1	W2	W3	W4**	W5
lb/in																
50,000 to 100,000 (RL75223)	1.50	12.93	1.00	1.00	22.50	1.50	1.75	9.50	11.75	5.88	7.75	0.91	5.25	1.25	9.25	11.75
25,000 to 40,000 (RL75040)	1.50	9.88	1.00	1.00	18.50	1.50	1.75	7.50	11.75	5.88	7.75	0.91	5.25	1.25	9.25	11.75
50,000 to 75,000 (RL75040)	1.50	12.82	1.00	1.00	22.50	1.50	1.75	9.50	11.75	5.88	7.75	0.91	5.25	1.25	9.25	11.75

*Custom heights available; consult **Custom hole spacing for existing bolt patterns is available; consult



Complete Kit Includes

- One JB8SP NEMA Type 4X signal-trim junction box with individual and section trimming capability (six- and eight-mount kits) or one JB4SP NEMA Type 4X signal-trim junction box (four-mount kits)
- One UJB3T6 DC transient protector
- Four, six or eight Translink mounting assemblies with RL75040 or RL75223 load cells
- 100 ft of hostile environment EL147HE SURVIVOR® load cell cable

Standard Features

- Cost and time efficient installation; no need to remove weighbridge
- Converts existing scale capacities of 40,000 to 300,000 lb
- Four, six or eight-mount kits for two, three or four section conversions
- Translink™ heavy-capacity mounting assemblies
- Free movement in all directions in the horizontal plane with virtually no friction
- Completely self-centering
- Requires no check rods
- Capacity per mount: 25,000 to 100,000 lb
- Utilizes cells with 3 mV/V output

Optional Features

- Custom heights available; consult
- Rice Lake RL75223 welded-seal, VPG Sensortronics® 65040A or VPG Revere® 5223 load cells

Applications

- Updating existing mechanical motor truck scales
- Replacing unsatisfactory electronic motor truck scales
- Conversion of heavy-capacity scales into fully electronic vehicle scales where the existing scale cannot be removed

WEIGH MODULES