

# Mettler Toledo® DigiTOL® Retrofit Kit

Stainless Steel, Rice Lake Weighing Systems/Flintec

## RC1 Load Cells



Shown here with the JB8SP signal trim junction box. Picture is a representation of actual product.

### Load Cell Approvals



## DigiTOL Retrofit Order information

Description	Part #	Price
8 mount kit (RC1-56,000) 1 JB8SP junction box	<b>78713</b>	Consult
10 mount kit (RC1-56,000) 2 JB8SP junction boxes	<b>78714</b>	Consult
12 mount kit (RC1-56,000) 3 EL304 junction boxes	<b>152774</b>	Consult

## Complete Kit Includes

- Signal trim EL204 or JB8SP junction boxes
- 8, 10 or 12 Flintec RC1-250 KN load cells with upper and lower load cups
- 8, 10 or 12 Flintec RC3 load cells with upper and lower load cups
- 100 ft of hostile environment EL147HE SURVIVOR® load cell cable
- Cups included

## Standard Features

- Stainless steel hermetically sealed load cells
- Converts existing Mettler -Toledo DigiTOL scale to an analog based load cell weighing system
- 8, 10 or 12 load cells and cups plus junction box and home run cable
- Load cells are NTEP Certified 1:10,000 divisions, Class III\*
- Rocker design load cells
- Load cups

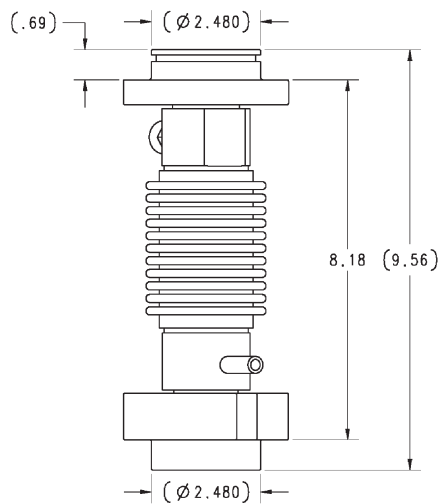
\*Consult your local Weights & Measures Authorities for local Legal for Trade requirements

## Warranty

- One-year limited

## Applications

- Mettler Toledo® DigiTOL® truck scale conversion



RC1-250KN

WEIGH MODULES

# Mettler Toledo® DigiTOL® Retrofit Kit

Stainless Steel, Rice Lake Weighing Systems/Flintec

## RC3 Load Cells



Shown here with the JB8SP signal trim junction box  
Picture is a representation of actual product

### Load Cell Approvals



### DigiTOL Retrofit Order information

Description	Part #	Price
8 mount kit (RC3-50T) RR/track 2 EL304 junction boxes	<b>129844</b>	Consult
8 mount kit (RC3-50T) truck 2 EL304 junction boxes	<b>154347</b>	Consult
10 mount kit (RC3-50T) RR/track 2 JB8SP junction boxes	<b>111367</b>	Consult
10 mount kit (RC3-50T) truck 3 EL304 junction boxes	<b>154348</b>	Consult
12 mount kit (RC3-50T) truck 3 EL304 junction boxes	<b>154349</b>	Consult

### Complete Kit Includes

- Signal trim EL204 or JB8SP junction boxes
- 8, 10 or 12 Flintec RC1-250 KN load cells with upper and lower load cups
- 8, 10 or 12 Flintec RC3 load cells with upper and lower load cups
- 100 ft of hostile environment EL147HE SURVIVOR® load cell cable
- Cups included

### Standard Features

- Stainless steel hermetically sealed load cells
- Converts existing Mettler-Toledo DigiTOL scale to an analog based load cell weighing system
- 8, 10 or 12 load cells and cups plus junction box and home run cable
- Load cells are NTEP Certified 1:10,000 divisions, Class IIII\*
- Rocker design load cells
- Load cups

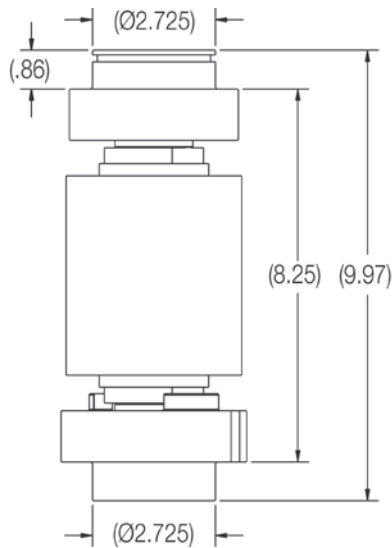
\*Consult your local Weights & Measures Authorities for local Legal for Trade requirements

### Warranty

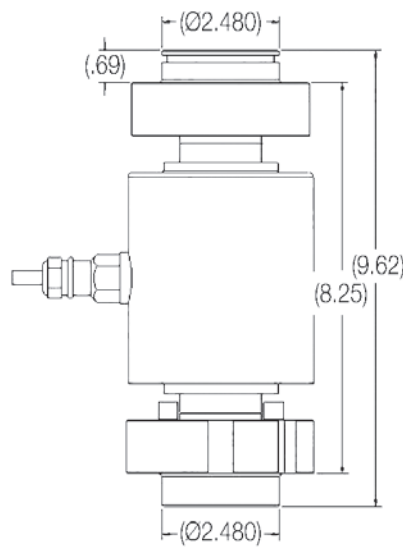
- One-year limited

### Applications

- Mettler Toledo® DigiTOL® truck scale conversion



RC3-50t  
RR TRACK



RC3-50t  
TRUCK

WEIGH MODULES