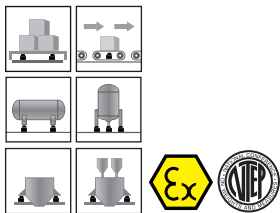


Explosion-proof Single Ended Shear Beam



Capacities

250kg, 500kg, 1000kg, 1500kg, 2000kg, 2500kg, 5000kg, 7500kg, 10000kg

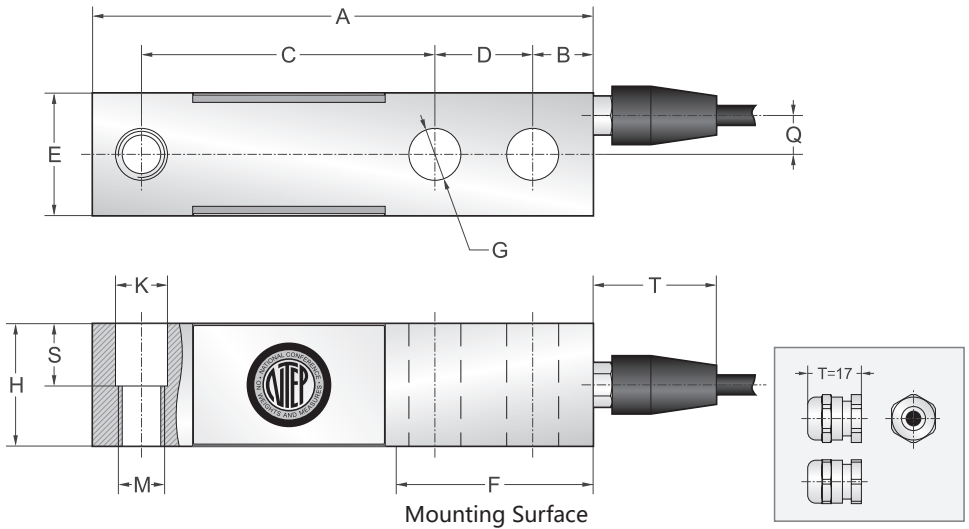
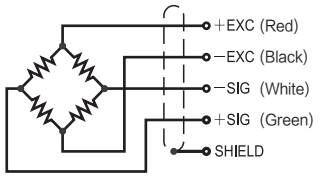
250lb, 500lb, 1000lb, 2000lb, 3000lb, 4000lb, 5000lb, 10000lb, 15000lb, 20000lb

Features

- Single ended shear beam load cell
- Alloy steel construction
- Easy to install
- NTEP certified
- Explosion-proof grade: Ex ia IIC T4~T6 Ga Ex iaD 20 T85~T135
- High accuracy
- High stability
- Protected against corrosion by nickel-plated treatment
- Suitable for floor scales, blending & mixing systems, belt scales and batching systems, etc.

Schematic

Red: + input
 Black: - input
 White: - output
 Green: + output



Explosion-proof Single Ended Shear Beam

Explosion-proof Single Ended Shear Beam

Capacities		A	B	C	D	E	F	G	H	M	K	S	T	Q
0.25t~2.5t SE	mm	130	15.7	76.2	25.4	31.8	57	2×Ø13.5	31.8	M12×1.75	Ø13.5	16.2	32	10.1
2.5t~7.5t SE	mm	171.4	19	95.2	38.1	37.4	76	2×Ø19.8	37.4	M18×1.5	Ø19.8	17.8	32	13
7.5t~10t	mm	222.2	25.4	120.6	50.8	50	102	2×Ø26.2	50	M24×2	Ø26.2	25	17	17
250lb~5klbs	inch	5.12	0.62	3	1	1.25	2.24	2×Ø0.78	1.25	1/2"-20 UNF	Ø0.53	0.64	1.26	0.4
5klb~15klbs	inch	6.75	0.75	3.75	1.5	1.47	2.99	2×Ø0.54	1.47	3/4"-16 UNF	Ø0.78	0.7	1.26	0.51
15klb~20klb	inch	8.75	1	4.75	2	1.97	4.02	2×Ø1.03	1.97	1"-14 UNF	Ø1.03	0.98	0.67	0.67

Specifications			
Rated Output	2.0mV/V ±0.1% or 3.0mV/V ±0.1%	Safe Temp. Range	-10°C to + 70°C
Zero Balance	±1% of rated output	Temp. Compensated	-10°C to + 40°C
Creep after 30 minutes	±0.03% of rated output	Safe Overload	150%
Nonlinearity	±0.03% of rated output	Input Impedance	387 ohm ± 20 ohm
Hysteresis	±0.03% of rated output	Output Impedance	350 ohm ± 5 ohm
Repeatability	±0.03% of rated output	Insulation Resistance	≥5000 M ohm (50V DC)
Temp. effect on output	≤0.002% of applied output/°C	Rated Excitation	10V DC/AC
Temp. effect on zero	≤0.002% of rated output/°C	Maximum Excitation	15V DC/AC
Cable Length	6m(19.7ft)	Color Codes	Red(+ E) Black(- E) White(- S) Green(+ S)